

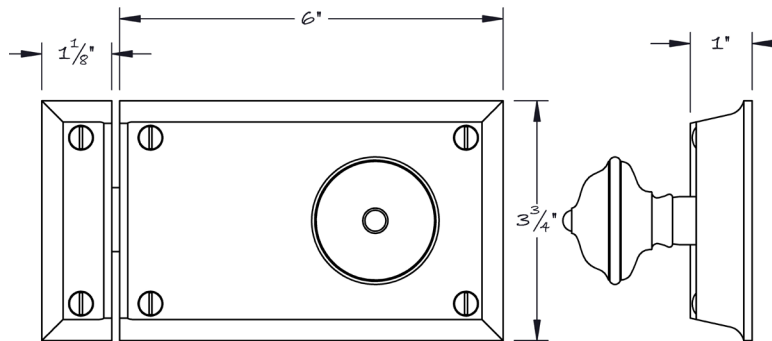
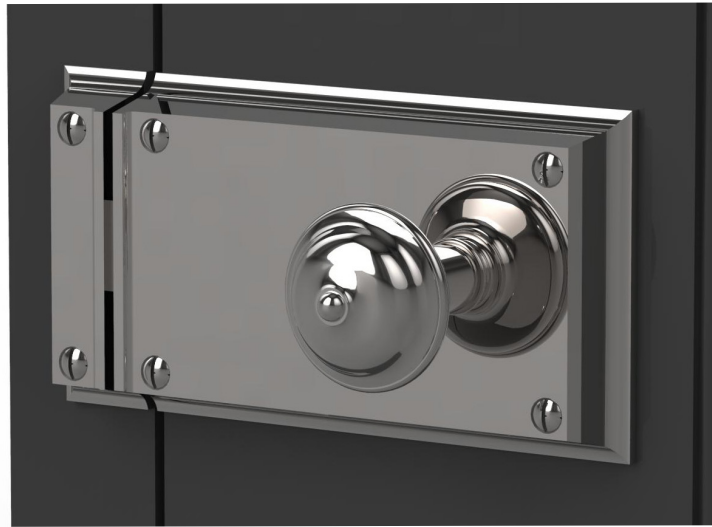


LOWE HARDWARE

No. 100

---

TRADITIONAL PASSAGE RIM LOCK



*Lowe Hardware's #100 passage door rim lock combines time tested mechanical design with precision manufacturing. Upon close study of rim locks produced over the past 200 years, our engineering has led to this versatile piece machined from solid brass, bronze, or steel.*

*Custom edge molding details are available upon request.*

*Passage, privacy, and key locking versions readily available.*

---

• DESIGNED, MANUFACTURED & HAND FINISHED IN MAINE SINCE 1977 •