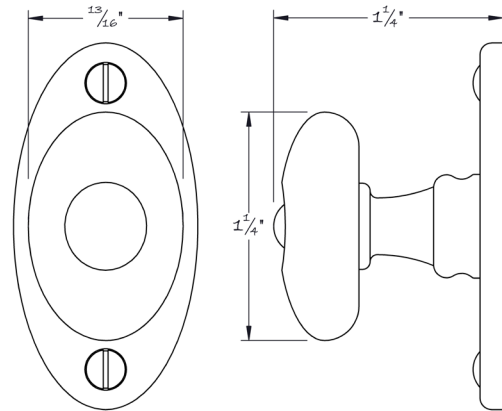




LOWE HARDWARE

No. 5007

---



*Based on the #5002 knob, the #5007 adds an element of ornament by incorporating a turned hemisphere within the elliptical head. A loose ogee curve makes up the knob's base which leads into a termination detail that highlights a decorative union of the ellipse and shaft.*

*All hardware is made-to-order. Details and dimensions can be modified to suit any project.*

*Available in any of our yacht quality finishes.*