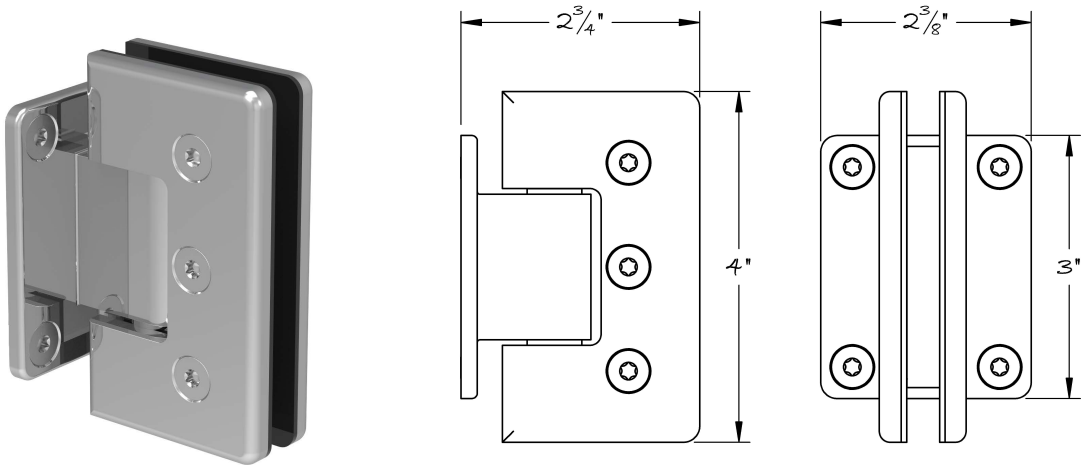




LOWE HARDWARE

No. 9010

---



*Standard shower door hinges for glass panels. These hinges can be specified for 3/8" or 1/2" thick glass.*

*All hardware is made-to-order. Details and dimensions can be modified to suit any project.*

*Available in any of our yacht quality finishes.*

• DESIGNED, MANUFACTURED & HAND FINISHED IN MAINE SINCE 1977 •