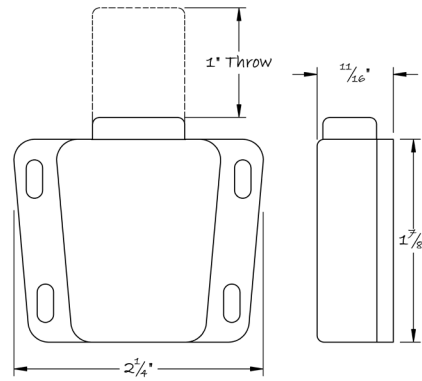




LOWE HARDWARE

No. 6094

---



*The 6094 push latch features 25 lb push force and is suitable for use on doors with a minimum thickness of 5/8".*

*All hardware is made-to-order. Details and dimensions can be modified to suit any project.*

*Available in all of our yacht quality finishes.*

• DESIGNED, MANUFACTURED & HAND FINISHED IN MAINE SINCE 1977 •