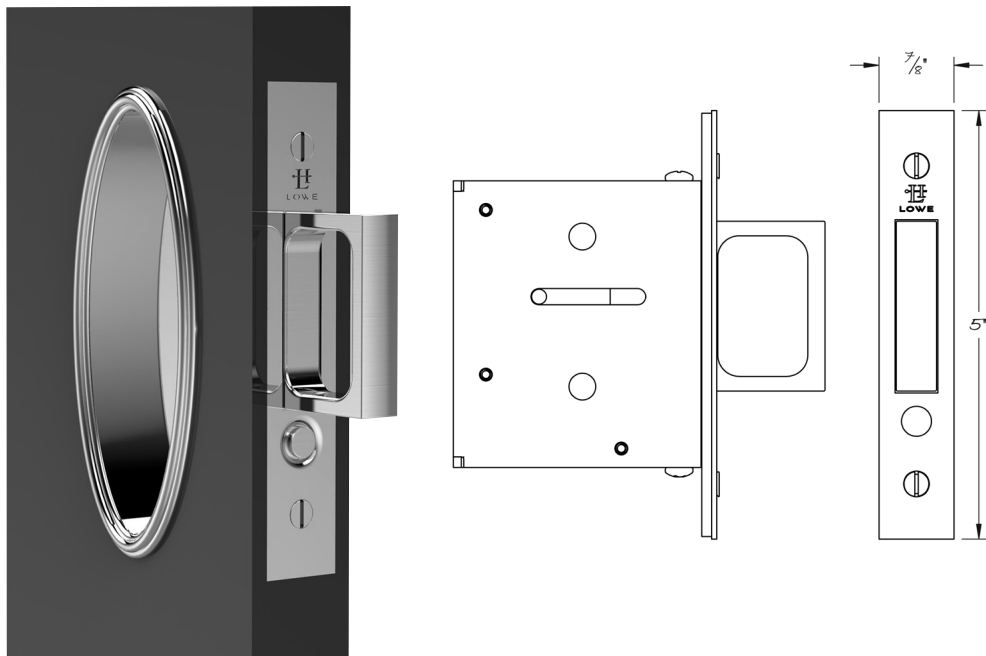




LOWE HARDWARE

No. 4200



*The 4200 full mortise pocket door edge pull features a spring activated bail released by a push button to pull doors from their pockets. The faceplate has an adjustable bevel.*

*All hardware is made-to-order. Details and dimensions can be modified to suit any project.*

*Available in any of our yacht quality finishes.*

*Note: This specification includes the edge pull only. Recessed pulls for the face of the door to be specified separately.*

• DESIGNED, MANUFACTURED & HAND FINISHED IN MAINE SINCE 1977 •

WWW.LOWE-HARDWARE.COM