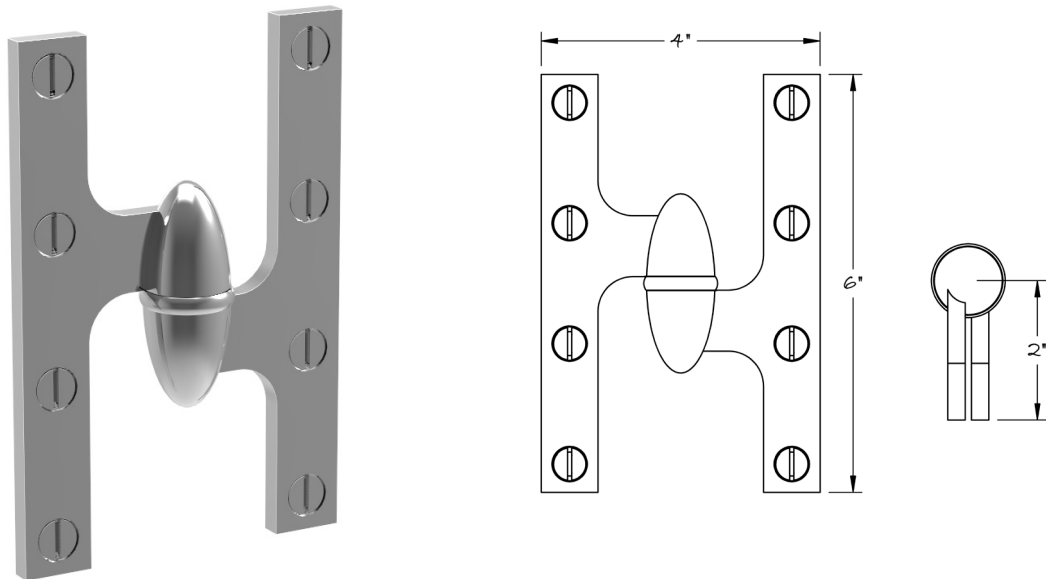




LOWE HARDWARE

No. 8564



*The elliptical Olive Knuckle Hinge with roller thrust and needle radial bearings features a classic lift-off style, shown here in the 6" x 4" option. All hardware is made-to-order. Details can be modified to suit any project.*

*Available in any of our yacht quality finishes.*

• DESIGNED, MANUFACTURED & HAND FINISHED IN MAINE SINCE 1977 •

WWW.LOWE-HARDWARE.COM