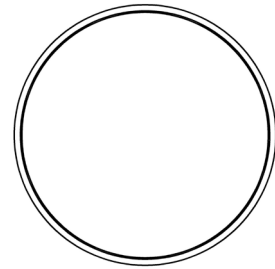
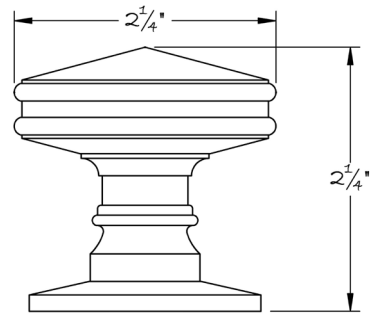




LOWE HARDWARE

No. 5022

---



*Lowe Hardware's #5022 knob comprises a head balanced by two plain astragals with a fifteen degree cone on top and a fifteen degree run on bottom leading to a coved transition to the shank. The gentle ogee curve of the rose is bound on its perimeter by a thin astragal.*

*Available in any of our yacht quality electroplated or patinated finishes.*

• DESIGNED, MANUFACTURED & HAND FINISHED IN MAINE SINCE 1977 •

73 SPRING STREET NEW YORK, NY 10012 (212) 390-0660

WWW.LOWE-HARDWARE.COM