

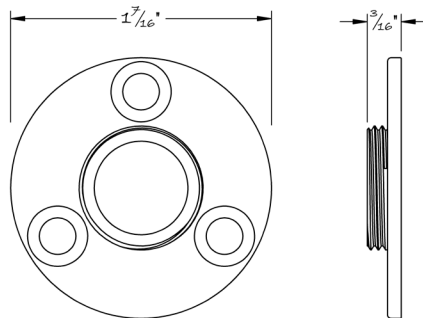
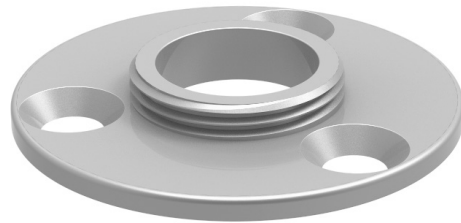


LOWE HARDWARE

No. 4563LP

---

THREADED SUBROSE



*Low profile threaded subrose for use with all active knobs and levers.*

*CNC machined from solid brass.*

*Supplied with #8 phillips head screws.*

---

• DESIGNED, MANUFACTURED & HAND FINISHED IN MAINE SINCE 1977 •

73 SPRING STREET NEW YORK, NY 10012 (212) 390-0660

WWW.LOWE-HARDWARE.COM