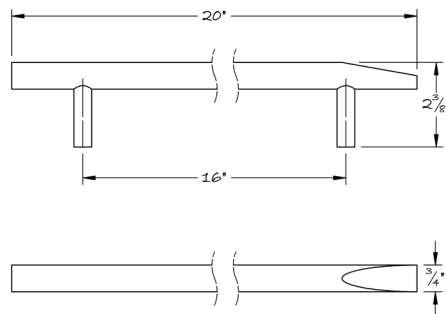




LOWE HARDWARE

No. 6516A

APPLIANCE PULL



*The No. 6516A Appliance Pull was designed by
Tod Williams / Billie Tsien Architects of New York City.*

It coordinates with our No. 6516 lever.

Available in any of our yacht-quality electroplated or patinated finishes.

DESIGNED, MANUFACTURED & HAND FINISHED IN MAINE SINCE 1977

73 SPRING STREET NEW YORK, NY 10012 (212) 390-0660

WWW.LOWE-HARDWARE.COM