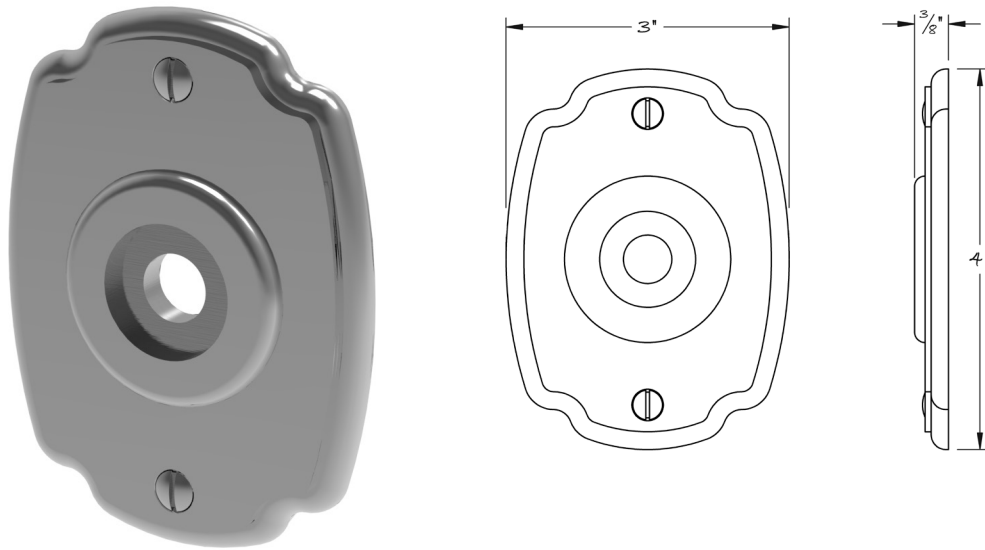




LOWE HARDWARE

No. 1505S



*Part of Lowe Hardware's arts and crafts suite, the #1505s escutcheon plate features cloudlift details on its top and bottom. The ovolo edge molding leads to a step before the plate's flat faces. Hand hammering on this face is available upon request. The plate can be machined for use with American or European locks, latches, screen door hardware, or simply as a push plate. Projection is 3/8'.*

*Antique patinas are recommended for finished color, but any of our yacht quality finishes are available.*

• DESIGNED, MANUFACTURED & HAND FINISHED IN MAINE SINCE 1977 •

73 SPRING STREET NEW YORK, NY 10012 (212) 390-0660

WWW.LOWE-HARDWARE.COM