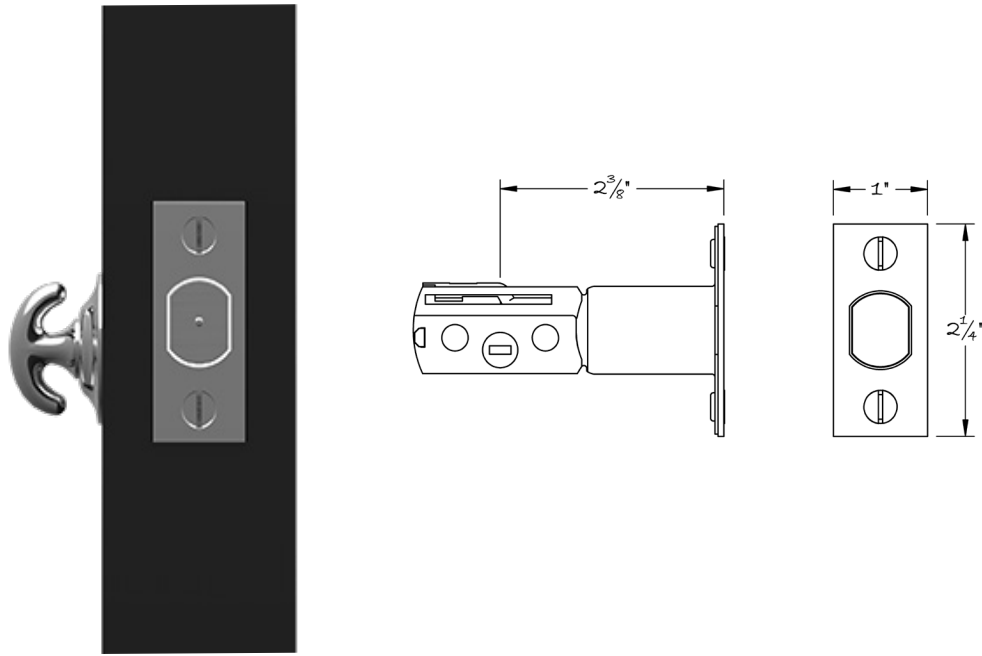




LOWE HARDWARE

No. 4311

---



Lowe #4311 tubular deadbolt for use with a keyed rim cylinder.

Available in 2-3/8" or 2-3/4" backset.

• DESIGNED, MANUFACTURED & HAND FINISHED IN MAINE SINCE 1977 •