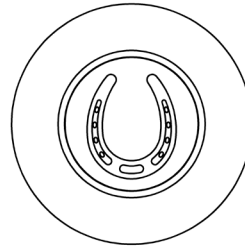
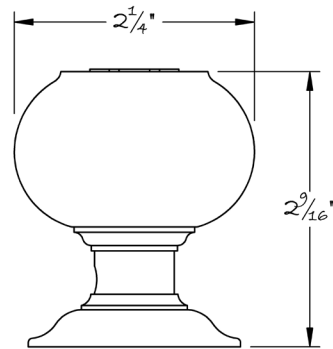




LOWE HARDWARE

No. 5036H

---



*No. 5036H has a raised horseshoe detail.*

*Available in any of our yacht-quality electroplated or patinated finishes.*

• DESIGNED, MANUFACTURED & HAND FINISHED IN MAINE SINCE 1977 •

73 SPRING STREET NEW YORK, NY 10012 (212) 390-0660

WWW.LOWE-HARDWARE.COM