

LOWE HARDWARE



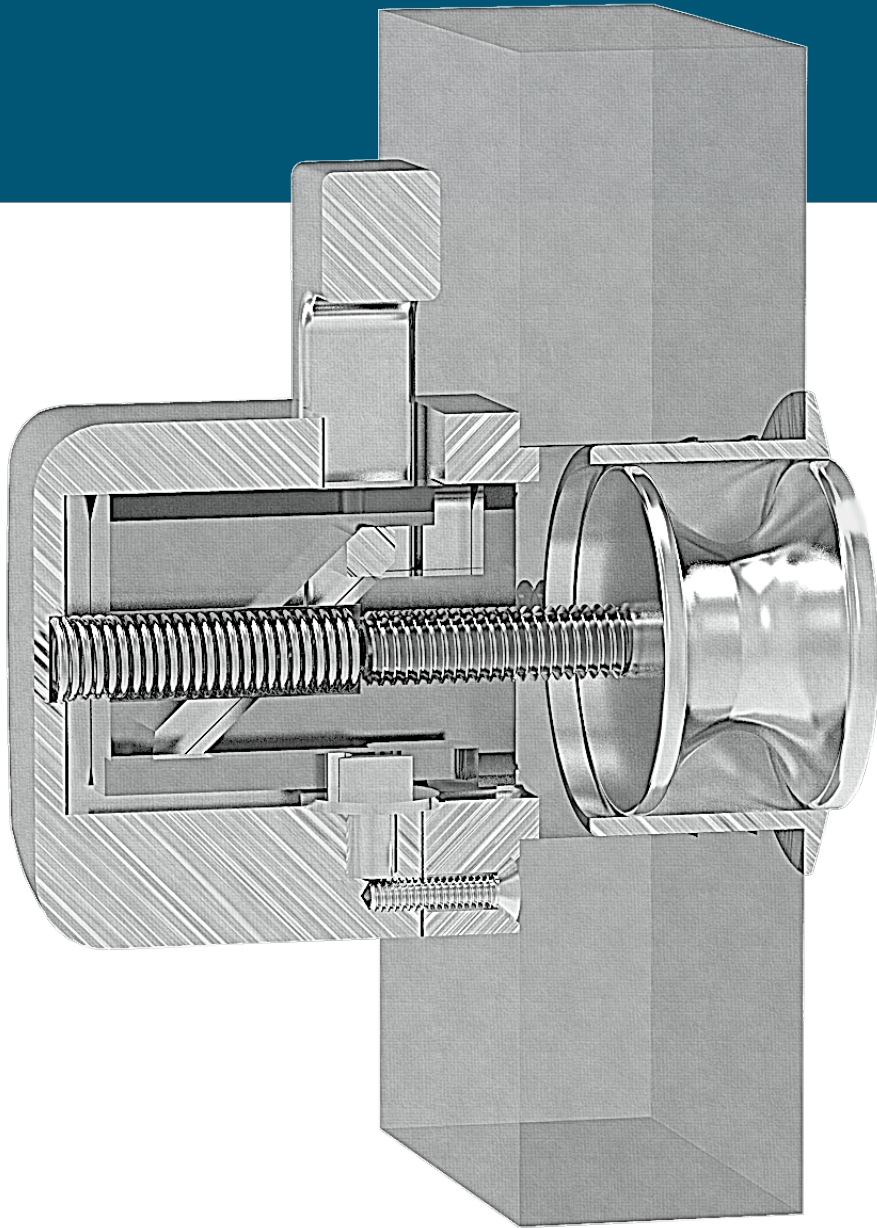
CLASSIC PUSH BUTTON LATCH

A HIGH PERFORMANCE LATCH DESIGNED TO MEET
ALL FINE CABINET APPLICATIONS.

MANUFACTURED AND HAND FINISHED IN MAINE SINCE 1977

SMOOTH. QUIET. PROVEN.

THE ULTIMATE IN MODERN
LATCHING FOR ALL
CABINET DOORS.



ORIGINALLY DESIGNED FOR MARINE APPLICATIONS, THE LOWE HARDWARE PUSH BUTTON LATCH IS COMPREHENSIVELY DESIGNED TO ELIMINATE RATTLING WHILE INSURING SMOOTH OPERATION AND OUTSTANDING DURABILITY.

- MADE FROM CNC MACHINED SOLID BRASS COMPONENTS WITH STAINLESS STEEL PINS, SPRINGS, AND FASTENINGS.
- HAND-FINISHED TO THE HIGHEST YACHT STANDARDS.
- AVAILABLE IN ANY OF OUR ELECTROPLATED OR PATINATED FINISHES.
- CHOOSE FROM STANDARD OR CUSTOM TRIM OPTIONS.
- A PROVEN CLASSIC DESIGN THAT REMAINS A STRONG FAVORITE IN OUR LINE OF CABINET DOOR HARDWARE - FOR FINE BOATS AND HOMES.



VISIT OUR WEBSITE FOR ADDITIONAL LATCH OFFERINGS
AND FULL PRODUCT CATALOGUE.

WWW.LOWE-HARDWARE.COM

LOWE HARDWARE
5 GORDON DRIVE • ROCKLAND • MAINE • (207)593-7405

SHOWROOM LOCATION:
73 SPRING ST • NEW YORK • NY • (212)390-0660