

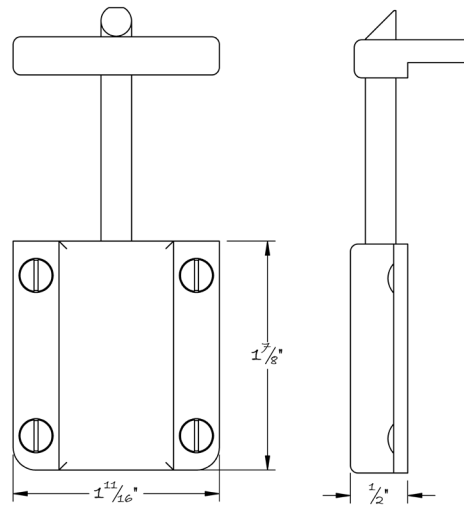


LOWE HARDWARE

No. 1080

---

DRAWER BOX MOUNT LATCH



*Based on the popular #1002 rim latch, the #1080 drawer latch incorporates a 1/4" diameter rod as a latching tongue. This can be cut to length depending on the drawer height. The guide bracket for the tongue mounts to the inner side of the drawer box, resulting in a sturdiness fitting of quality yacht interiors. Strikeplates are made based on joinery detail.*

*Available in any of our yacht quality finishes.*

---

• DESIGNED, MANUFACTURED & HAND FINISHED IN MAINE SINCE 1977 •

73 SPRING STREET NEW YORK, NY 10012 (212) 390-0660

WWW.LOWE-HARDWARE.COM