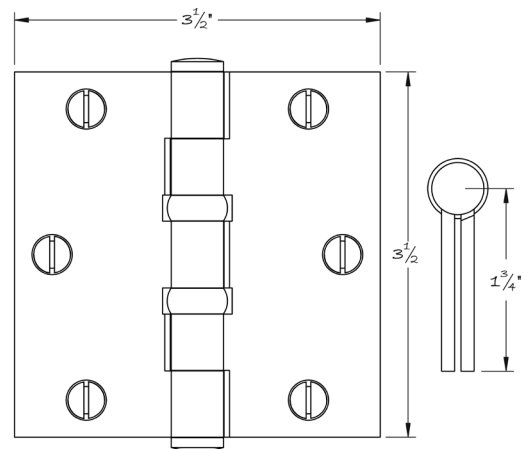
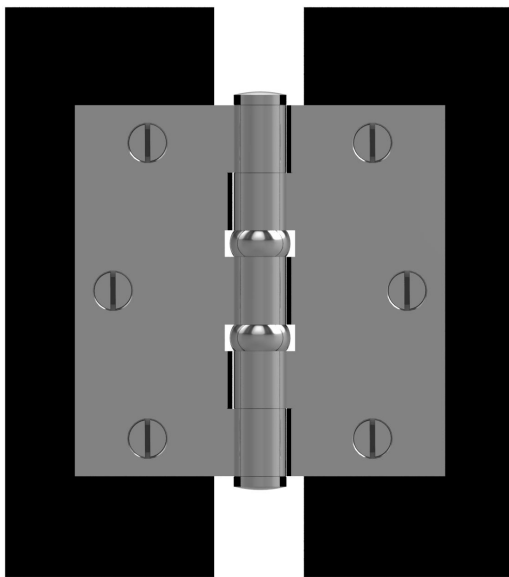




LOWE HARDWARE

No. 8035-BB



*Full mortise, five knuckle, template butt hinge, sized 3 1/2" by 3 1/2", featuring two ball bearings.*

*Lowe Hardware's butt hinges are made of the highest quality architectural brass extrusions with removable stainless steel pins. See our finials product sheet for trim options.*

*Available in all of our yacht quality finishes.*

• DESIGNED, MANUFACTURED & HAND FINISHED IN MAINE SINCE 1977 •

73 SPRING STREET NEW YORK, NY 10012 (212) 390-0660

WWW.LOWE-HARDWARE.COM