

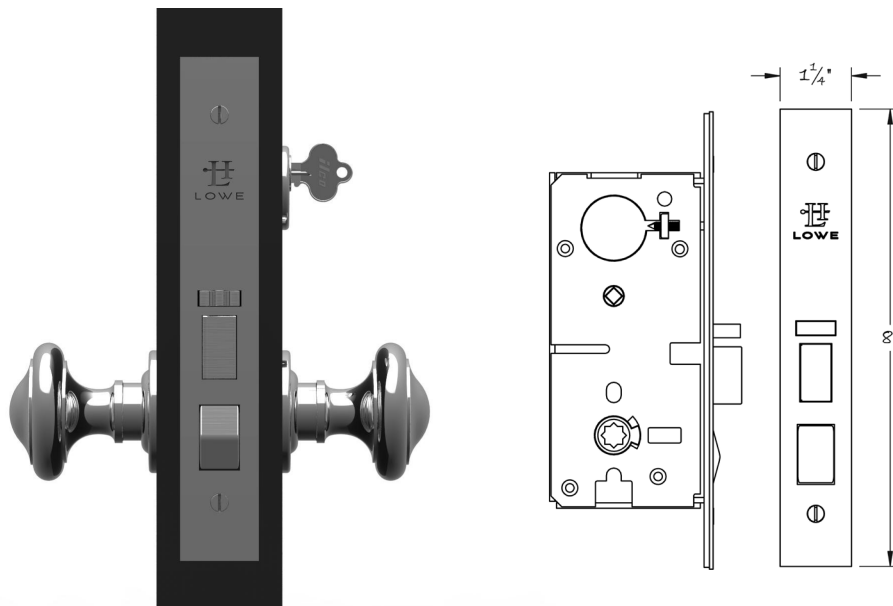


LOWE HARDWARE

No. 856

---

NARROW BACKSET MORTISE OFFICE LOCK



*The Lowe 856 narrow backset mortise office lock is available in 1-1/2", 1-3/4", 2", or 2-1/4" backsets. Typically used as an office lock, access is controlled via the toggle stop which switches the lock between the locked and unlocked position. From the inside free egress is always available.*

*The lock can be configured at the factory to be used with levers, or on the 2-1/4" backset version, also with knobs. It is supplied with a strikeplate and stamped metal dustbox, and the faceplate has an adjustable bevel. Center dimension between the handle and cylinder is 3-5/8".*

*The 856 is also available for use upside down.*

*Available in all finishes.*

---

• DESIGNED, MANUFACTURED & HAND FINISHED IN MAINE SINCE 1977 •

73 SPRING STREET NEW YORK, NY 10012 (212) 390-0660

WWW.LOWE-HARDWARE.COM