

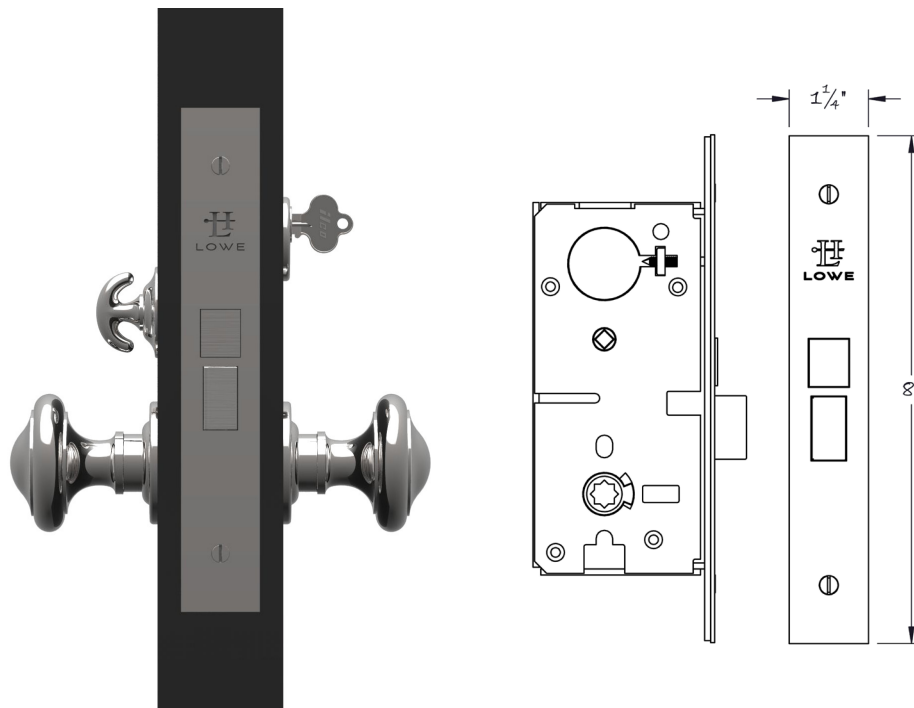


LOWE HARDWARE

No. 824

---

NARROW BACKSET MORTISE ENTRANCE LOCK



*The Lowe 824 narrow backset mortise entrance lock is available in 1-1/2", 1-3/4", 2", or 2-1/4" backsets. Typically used as an entrance lock, the 824 features a 1" reinforced deadbolt, full egress functionality, and can be used anywhere key controlled access is required with a narrow backset. The lock can be configured at the factory to be used with levers, or on the 2-1/4" backset version, also with knobs. It is supplied with a strikeplate and stamped metal dustbox, and the faceplate has an adjustable bevel. Center dimension between the handle and thumbturn is 2-7/16". The 824 is also available for use upside down.*

*Available in any of our yacht quality finishes.*

---

• DESIGNED, MANUFACTURED & HAND FINISHED IN MAINE SINCE 1977 •