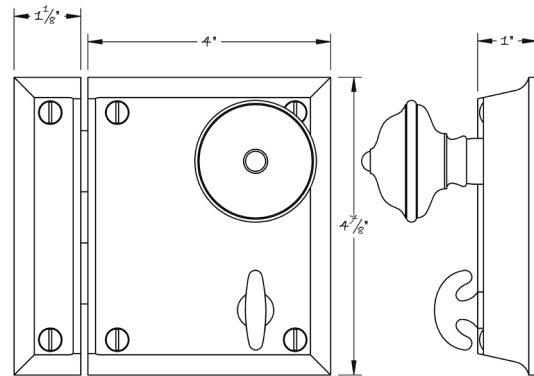




LOWE HARDWARE

No. 101



*Lowe Hardware's #101 key locking rim lock combines time tested mechanical design with precision manufacturing. Upon close study of rim locks produced over the past 200 years, our engineering has led to this versatile piece machined from solid brass, bronze, or steel.*

*Custom edge molding details are available upon request.*

*The #101 utilizes a Medeco rim cylinder for the utmost in security.*

*Passage, privacy, and bit key locking versions are readily available.*

• DESIGNED, MANUFACTURED & HAND FINISHED IN MAINE SINCE 1977 •

73 SPRING STREET NEW YORK, NY 10012 (212) 390-0660

WWW.LOWE-HARDWARE.COM