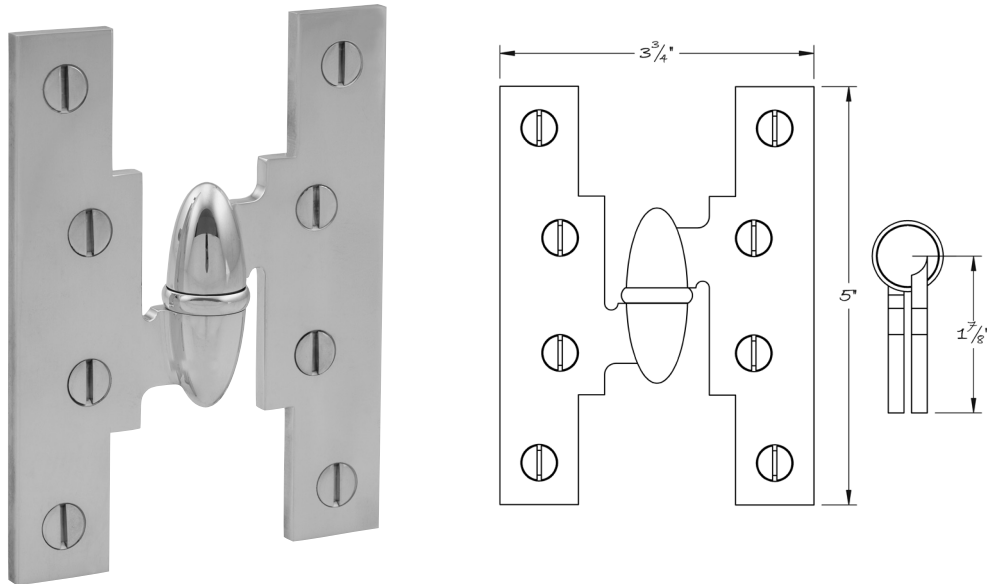




LOWE HARDWARE

No. 8512



*The elliptical Olive Knuckle Hinge with roller thrust and needle radial bearings features a classic lift-off style shown here in the 5" x 3.75" option. All hardware is made-to-order. Details can be modified to suit any project. Available in all of our yacht quality finishes.*

• DESIGNED, MANUFACTURED & HAND FINISHED IN MAINE SINCE 1977 •