

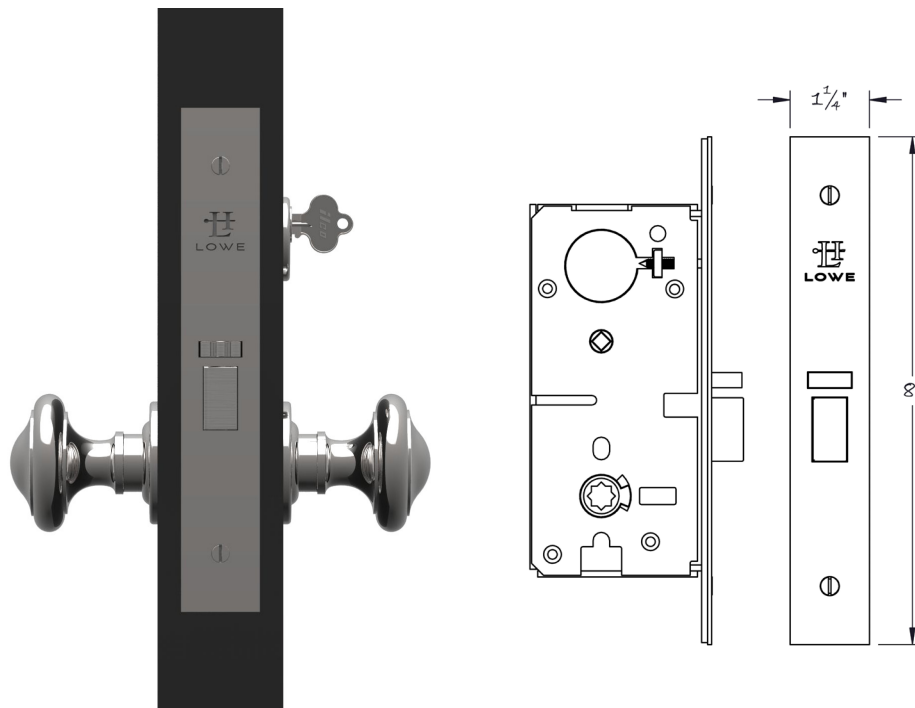


LOWE HARDWARE

No. 845

---

NARROW BACKSET MORTISE CLASSROOM LOCK



*The Lowe 845 narrow backset mortise classroom lock is available in 1-1/2", 1-3/4", 2", or 2-1/4" backsets. Typically used as a storeroom lock, the 845 can be used anywhere narrow backset key controlled access is required. Access is controlled via the key which toggles the lock between the locked and unlocked position. From the inside free egress is always available. The lock can be configured at the factory to be used with levers, or on the 2-1/4" backset version, also with knobs. It is supplied with a strikeplate and stamped metal dustbox, and the faceplate has an adjustable bevel. Center dimension between the handle and cylinder is 3-5/8".*

*The 845 is also available for use upside down. Available in all finishes.*

---

• DESIGNED, MANUFACTURED & HAND FINISHED IN MAINE SINCE 1977 •

73 SPRING STREET NEW YORK, NY 10012 (212) 390-0660

WWW.LOWE-HARDWARE.COM