

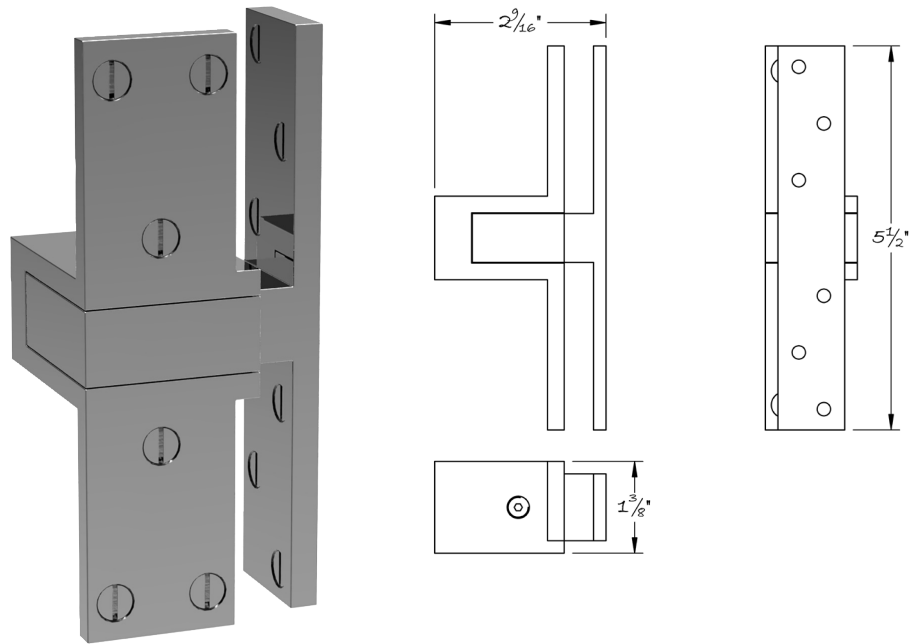


LOWE HARDWARE

No. 8400

---

HARMON HINGE



*Harmon hinges are ideal for applications where doors need to be latched in two locations.*

*They also allow a door to swing into a pocket to be stored out of the way.*

*Architects can design the swing to create a paneled corridor when the door is in the open position.*

*Lowe Hardware's #8400 Harmon Hinge is for doors 1-3/8" thick.*

*Bearings will be specified per the application.*

*Available in any of our yacht quality finishes.*

---

DESIGNED, MANUFACTURED & HAND FINISHED IN MAINE SINCE 1977

73 SPRING STREET NEW YORK, NY 10012 (212) 390-0660

WWW.LOWE-HARDWARE.COM