

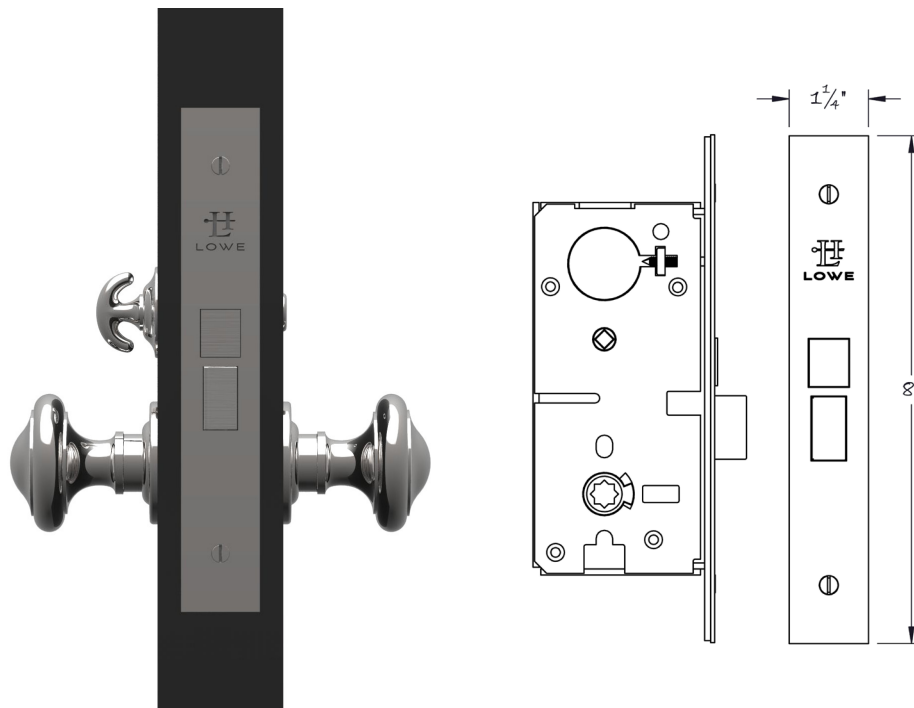


LOWE HARDWARE

No. 839

---

NARROW BACKSET MORTISE PATIO LOCK



*The Lowe 839 narrow backset mortise patio lock is available in 1-1/2", 1-3/4", 2", or 2-1/4" backsets. The 839 is typically used to secure narrow backset patio doors and other exterior doors that do not require a key. The 139 features 1" reinforced deadbolt, full egress functionality and can also be used where a narrow backset privacy with egress function is needed. The lock can be configured at the factory to be used with levers, or on the 2-1/4" backset version, also with knobs.*

*It is supplied with a strikeplate and stamped metal dustbox, and the faceplate has an adjustable bevel. Center dimension between the handle and thumbturn is 2-7/16".*

*The 839 is also available for use upside down. Available in all finishes.*

---

• DESIGNED, MANUFACTURED & HAND FINISHED IN MAINE SINCE 1977 •

73 SPRING STREET NEW YORK, NY 10012 (212) 390-0660

WWW.LOWE-HARDWARE.COM