

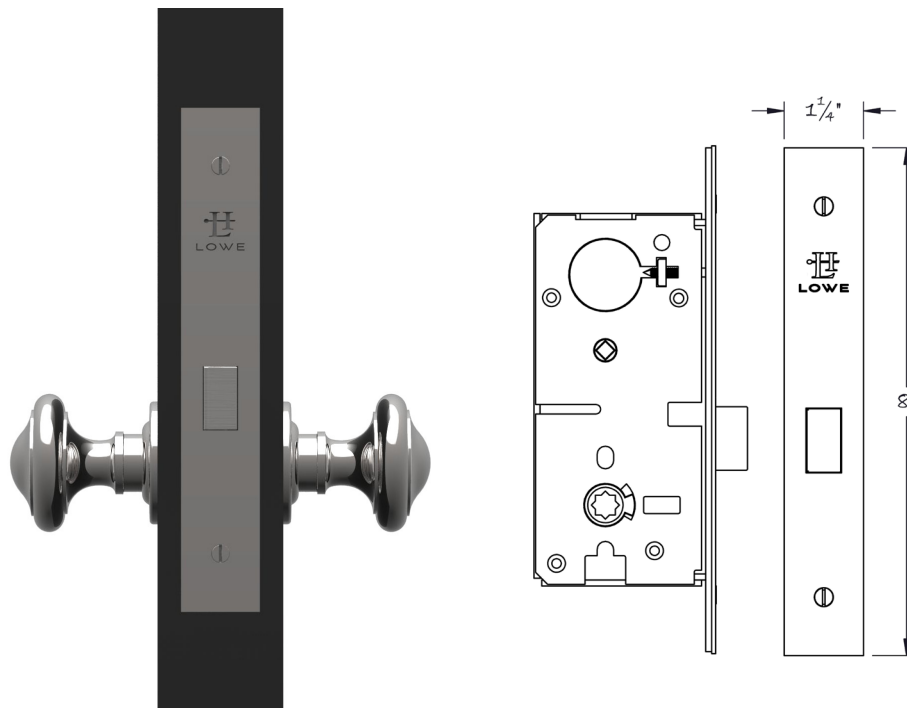


LOWE HARDWARE

No. 825

---

NARROW BACKSET MORTISE PASSAGE LOCK



*The Lowe 825 narrow backset mortise passage lock is available in 1-1/2", 1-3/4", 2", or 2-1/4" backsets. The 825 is typically used to on passage doors that require a narrow backset lock.*

*The lock can be configured at the factory to be used with levers, or on the 2-1/4" backset version, also with knobs. It is supplied with a strikeplate and stamped metal dustbox, and the faceplate has an adjustable bevel. The 139 is also available for use upside down.*

*Available in all finishes.*

---

• DESIGNED, MANUFACTURED & HAND FINISHED IN MAINE SINCE 1977 •

73 SPRING STREET NEW YORK, NY 10012 (212) 390-0660

WWW.LOWE-HARDWARE.COM