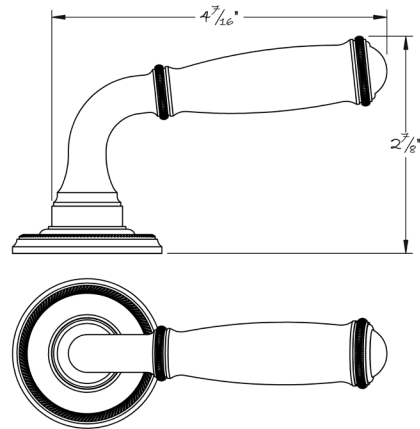




LOWE HARDWARE

No. 6507



*Designed in close collaboration with our showroom in New York City, the No. 6507 lever balances knurled ribbons, a slightly billowed grip, and domed end in perfect proportion.*

*Hand texturing, such as hammering, is available for the grip portion.*

*The 6507 lever is compatible with any rose or escutcheon. All hardware is made-to-order.*

*Available in any of our yacht quality finishes.*

• DESIGNED, MANUFACTURED & HAND FINISHED IN MAINE SINCE 1977 •

WWW.LOWE-HARDWARE.COM