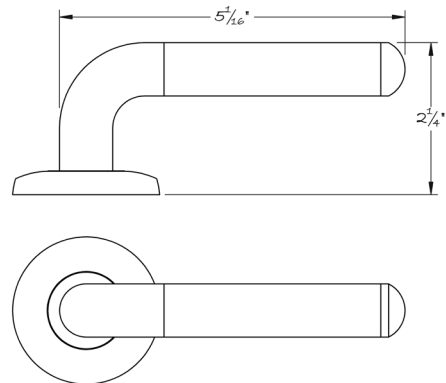




LOWE HARDWARE

No. 6501

---



*The design for the #6501 lever from Lowe Hardware allows for various finishings to both the grip and the lever's neck. Smooth straight cuts build the base for the brightest in electroplated finishes. As with all of our hardware, uniformity in production is easily achieved with pieces turned and milled to thousands of an inch tolerance.*

*Pictured in a bright chrome and brushed nickel finish, and with our No. 4700 Rose.*

*Available in any of our yacht-quality electroplated or patinated finishes.*

• DESIGNED, MANUFACTURED & HAND FINISHED IN MAINE SINCE 1977 •

73 SPRING STREET NEW YORK, NY 10012 (212) 390-0660

WWW.LOWE-HARDWARE.COM