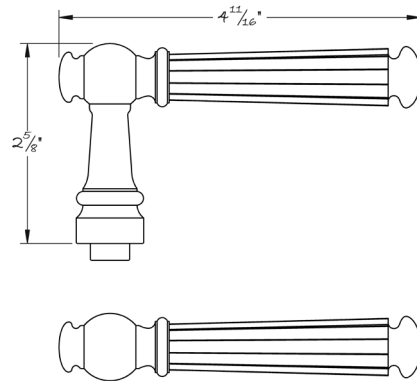
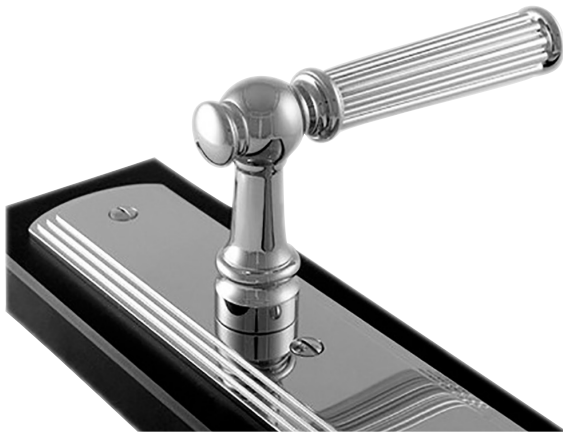




LOWE HARDWARE

No. 6500



*The #6500 lever is a piece designed and engineered from the ground up to incorporate many design details. Four pieces of CNC machined brass come together as one: a tapered fluted grip, collar with plain astragal and shallow cove, a stanchion with a slightly radiused run from a plain ribboned base to a spherical termination, and an end cap that flows into the sphere.*

*As with all Lowe Hardware pieces, uniformity in production runs is achieved easily with pieces turned and milled to thousands of an inch tolerance.*

*Smooth straight cuts build the base for the brightest in electroplated finishes.*

*Pictured with #1500 escutcheon plate.*

*Available in any of our yacht quality electroplated or patinated finishes.*

• DESIGNED, MANUFACTURED & HAND FINISHED IN MAINE SINCE 1977 •

73 SPRING STREET NEW YORK, NY 10012 (212) 390-0660

WWW.LOWE-HARDWARE.COM