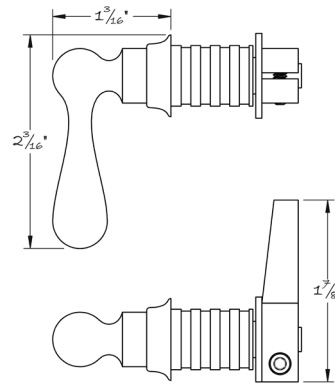




LOWE HARDWARE

No. 6003

---



*The 6003 lever is our interpretation of the original Herreshoff cabinet lever and cam arm. This lever includes a CNC turned rose for glue in installation.*

*All hardware is made-to-order. Details and dimensions can be modified to suit any project.*

*Available in any of our yacht quality finishes.*