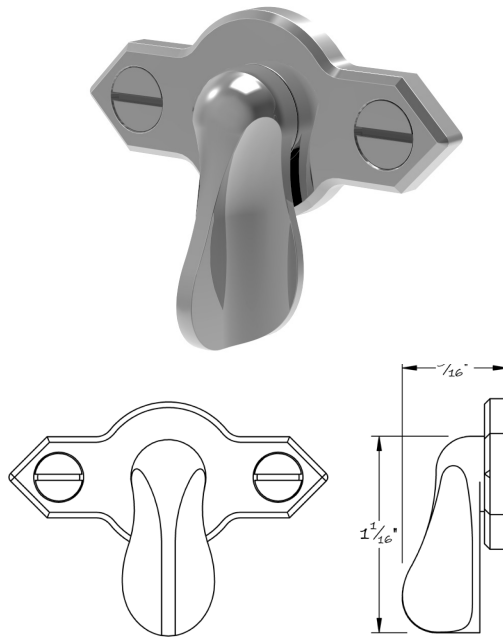




LOWE HARDWARE

No. 5086

---



*Our lowest profile thumbturn is based on a drawer latch turn drafted by Scottish yacht designer and builder William Fife III. Machined from solid brass this piece can be adapted to suit any interior trim, as well as American or European lock systems.*

*Available in any of our yacht-quality electroplated or patinated finishes.*

• DESIGNED, MANUFACTURED & HAND FINISHED IN MAINE SINCE 1977 •

73 SPRING STREET NEW YORK, NY 10012 (212) 390-0660

WWW.LOWE-HARDWARE.COM