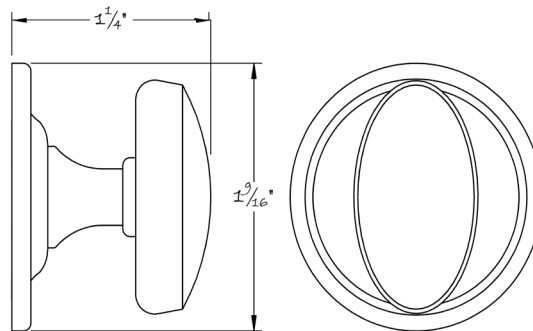
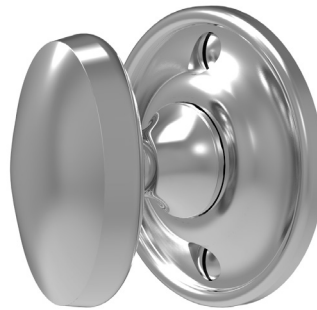




LOWE HARDWARE

No. 5083

---



No. 5083

*Designed as part of our Alphecca suite, the #5083 thumbturn blends the traditional elliptical form with a hard chine edge. Its clean lines fit the most modern of interiors, yet the details complement classical trim.*

*Available in any of our yacht-quality electroplated or patinated finishes.*

• DESIGNED, MANUFACTURED & HAND FINISHED IN MAINE SINCE 1977 •

73 SPRING STREET NEW YORK, NY 10012 (212) 390-0660

WWW.LOWE-HARDWARE.COM