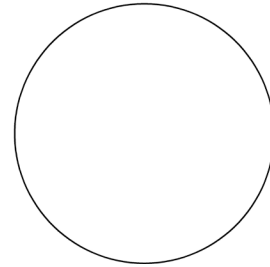
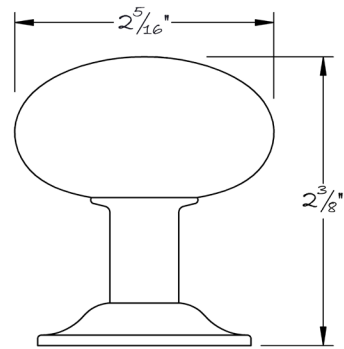




LOWE HARDWARE

No. 5049

---



*No. 5049 knob.*

*Available in any of our yacht-quality electroplated or patinated finishes.*

*(Shown here in solid walnut with a blackened brass base).*

• DESIGNED, MANUFACTURED & HAND FINISHED IN MAINE SINCE 1977 •

73 SPRING STREET NEW YORK, NY 10012 (212) 390-0660

WWW.LOWE-HARDWARE.COM