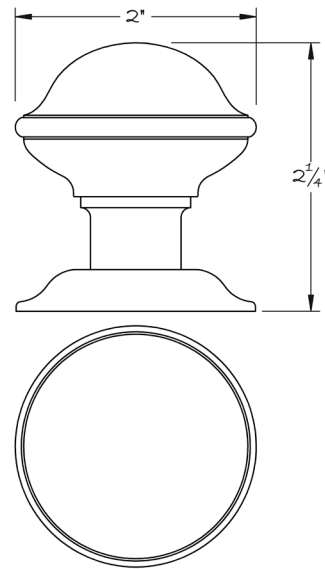




LOWE HARDWARE

No. 5026

---



*Lowe Hardware's #5026 knob is the result of a direct design development with an architectural partner in New York City. The centrally located ribbon is balanced by a domed face and ogee curve, leading to a simple straight neck. Pictured with our #4705 rose.*

*Available in any of our yacht quality electroplated or patinated finishes.*

• DESIGNED, MANUFACTURED & HAND FINISHED IN MAINE SINCE 1977 •

73 SPRING STREET NEW YORK, NY 10012 (212) 390-0660

WWW.LOWE-HARDWARE.COM