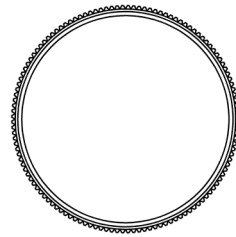
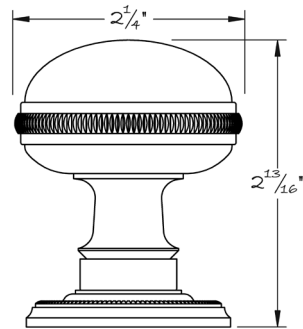




LOWE HARDWARE

No. 5025s



*The #5025s knurled knob defines a calculated balance of ornament applied to clean lines.*

*A pinched cusp at the neck's base is another restrained element of decoration.*

*The domed face enables various finishes as well as engraving to be additionally applied.*

*Pictured with our #4710 rose.*

*Available in any of our yacht quality electroplated or patinated finishes.*

DESIGNED, MANUFACTURED & HAND FINISHED IN MAINE SINCE 1977

73 SPRING STREET NEW YORK, NY 10012 (212) 390-0660

WWW.LOWE-HARDWARE.COM