

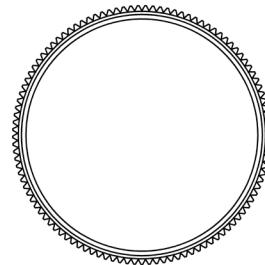
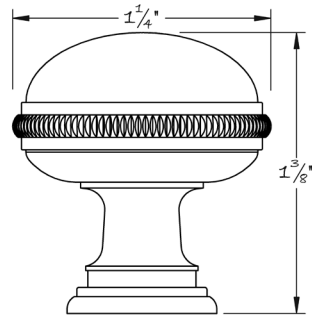


LOWE HARDWARE

No. 5025s

---

(1.25" CABINET)



*The #5025s (1.25"- Cabinet sized) knurled knob defines a calculated balance of ornament applied to clean lines. A pinched cusp at the neck's base is another restrained element of decoration.*

*The domed face enables various finishes as well as engraving to be additionally applied.*

*Available in any of our yacht quality electroplated or patinated finishes.*

---

• DESIGNED, MANUFACTURED & HAND FINISHED IN MAINE SINCE 1977 •

73 SPRING STREET NEW YORK, NY 10012 (212) 390-0660

WWW.LOWE-HARDWARE.COM