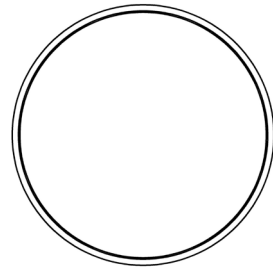
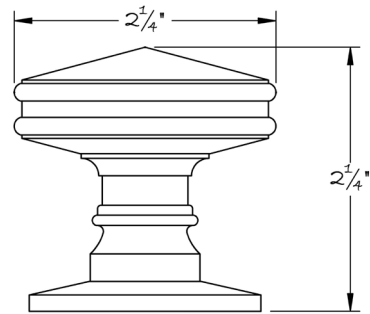




LOWE HARDWARE

No. 5022



*Lowe Hardware's 5022 knob comprises a head balanced by two plain astragals with a fifteen degree cone on top and a fifteen degree run on bottom leading to a covered transition to the shank. The gentle ogee curve of the rose is bound on its perimeter by a thin astragal. All hardware is made-to-order. Details and dimensions can be modified to suit any project. Available in any of our yacht quality finishes.*

• DESIGNED, MANUFACTURED & HAND FINISHED IN MAINE SINCE 1977 •