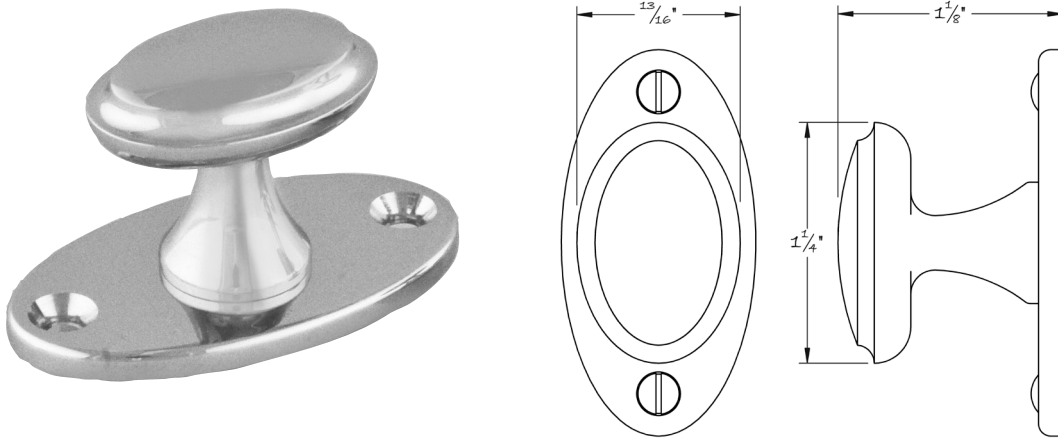




LOWE HARDWARE

No. 5001

---



*The #5001 elliptical cabinet knob is Lowe Hardware's interpretation of the classic design seen throughout timeless interiors, either on the water or for the home.*

*Unlike many other's designs, this piece is fully CNC machined from a solid billet of brass.*

*The elliptical head blends seamlessly into the knob's turned base creating a gentle resting spot for the fingers when either pulling or rotating the piece. All of Lowe Hardware's cabinet sized knobs can also be used as thumbturns for both American and European locksets.*

*Available in all of our yacht quality finishes.*

• DESIGNED, MANUFACTURED & HAND FINISHED IN MAINE SINCE 1977 •

73 SPRING STREET NEW YORK, NY 10012 (212) 390-0660

WWW.LOWE-HARDWARE.COM