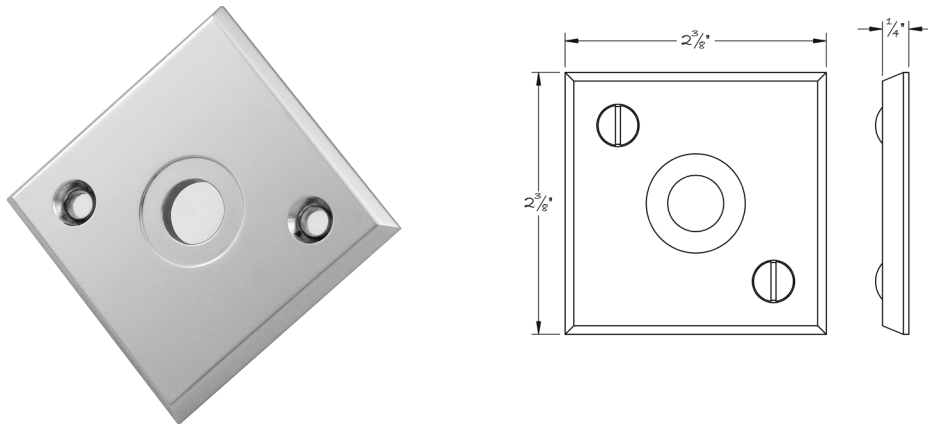




LOWE HARDWARE

No. 4711



*The #4711 escutcheon is intended to be mounted on the diamond.
This item can be appropriately scaled for the project's coordinating trim.*

Available in any of our yacht-quality electroplated or patinated finishes.

• DESIGNED, MANUFACTURED & HAND FINISHED IN MAINE SINCE 1977 •

73 SPRING STREET NEW YORK, NY 10012 (212) 390-0660

WWW.LOWE-HARDWARE.COM