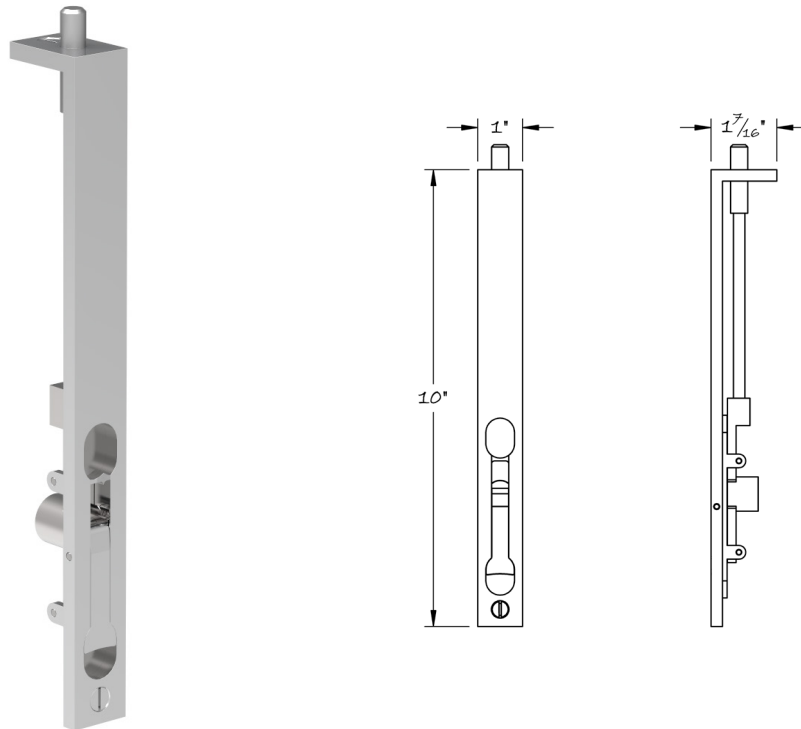




LOWE HARDWARE

No. 4066



*Lowe Hardware's No. 4066 flush bolt is designed to make pocket doors steadfast while under way, either in the open or closed position. The piece can also be used on swinging door pairs, where the bolt is usually installed top and bottom on the inactive door.*

*Designed as a full mortise installation.*

• DESIGNED, MANUFACTURED & HAND FINISHED IN MAINE SINCE 1977 •

73 SPRING STREET NEW YORK, NY 10012 (212) 390-0660

WWW.LOWE-HARDWARE.COM