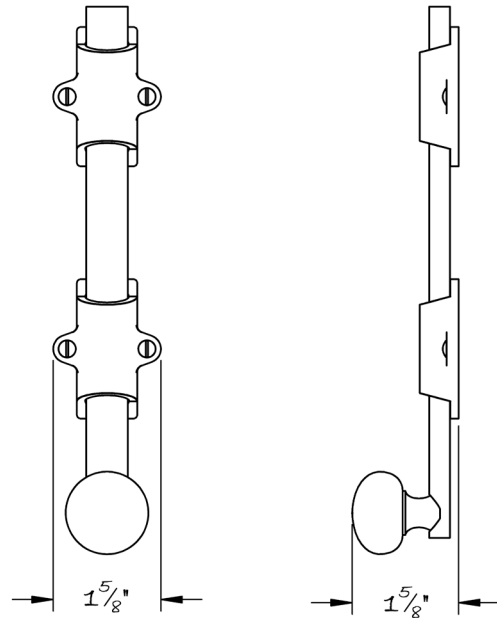
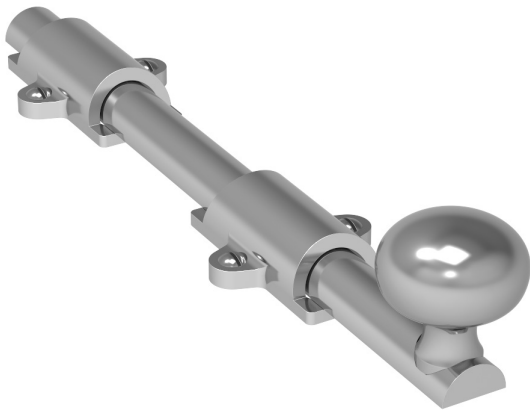




LOWE HARDWARE

No. 3300

---



*Lowe Hardware's #3300 surface bolt is designed with more traditional interiors in mind. Typically the bolt is mounted top and bottom to the passive leaf of double doors. The cabinet sized knob is easily changed to match the rest of the project's trim.*

*Please reference the Template File for strike plate options. The universal plate is typically used at the top of the door, either surface mounted or mortised with the tongue projecting to accept the bolt. The mortise strike is typically used at the bottom of the door, where the plate is installed in the floor or threshold to accept the bolt.*

*Available in all of our yacht quality finishes.*

• DESIGNED, MANUFACTURED & HAND FINISHED IN MAINE SINCE 1977 •