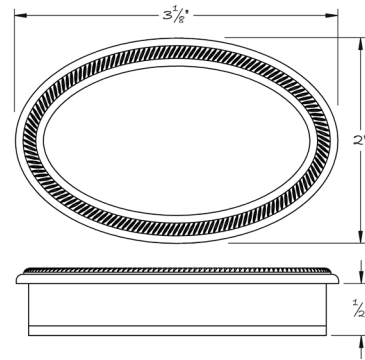




LOWE HARDWARE

No. 3106

---



*Lowe Hardware's #3106 elliptical flush pull.*

*Pictured with a rope knurl, this piece benefits from our CNC machining techniques and two piece construction to produce flawless detail. Available in small, medium, and large sizes to fit most casework. Refer to #3109 for oval offset pull versions.*

*(Small size drawn).*

*Available in any of our yacht quality electroplated or patinated finishes.*

---

• DESIGNED, MANUFACTURED & HAND FINISHED IN MAINE SINCE 1977 •

73 SPRING STREET NEW YORK, NY 10012 (212) 390-0660

WWW.LOWE-HARDWARE.COM