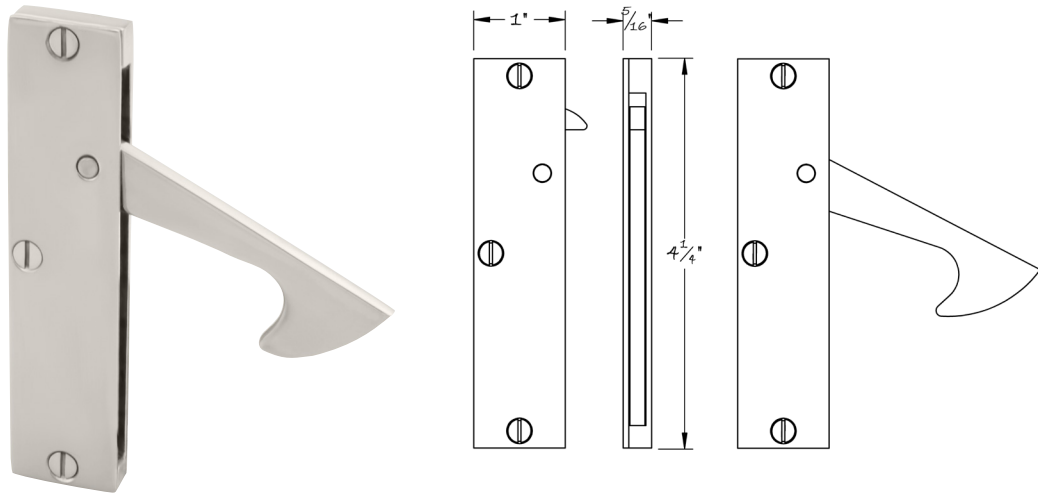




LOWE HARDWARE

No. 3099



*The No. 3099 knife edge pull mortises into the edge of a swinging or sliding panel. The pull can be swapped for left or right hand doors, and is fitting for applications where minimal hardware is to be seen. Only its 5/16" thick edge is seen with the panel closed.*

*Available in any of our yacht quality finishes.*

• DESIGNED, MANUFACTURED & HAND FINISHED IN MAINE SINCE 1977 •