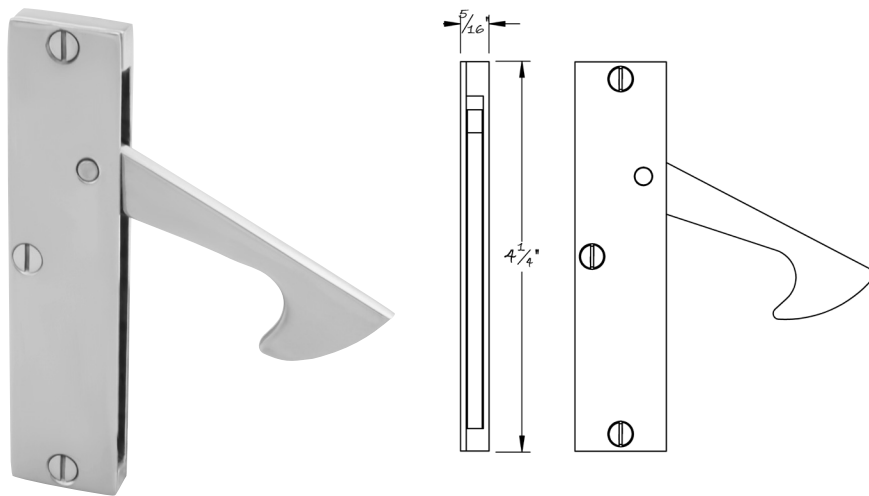




LOWE HARDWARE

No. 3099

---



*The No. 3099 knife edge pull mortises into the edge of a swinging or sliding panel. The pull can be swapped for left or right hand doors, and is fitting for applications where minimal hardware is to be seen. Only its 5/16" thick edge is seen with the panel closed.*

*Available in any of our yacht quality electroplated or patinated finishes.*

• DESIGNED, MANUFACTURED & HAND FINISHED IN MAINE SINCE 1977 •

73 SPRING STREET NEW YORK, NY 10012 (212) 390-0660

WWW.LOWE-HARDWARE.COM