

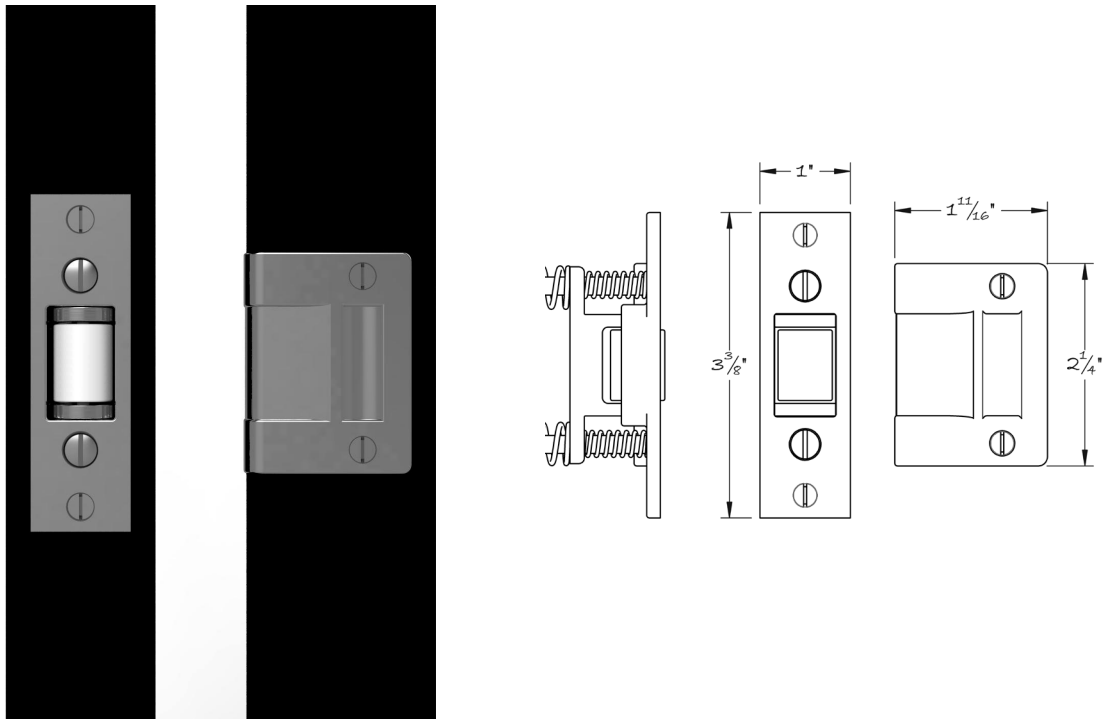


LOWE HARDWARE

No. 210

---

ROLLER LATCH



*The #210 roller latch is adjustable in its force of engagement. The rubber roller engages the strike and holds the door firmly closed without any unnecessary loud clicks.*

*Construction is of solid forged brass.*

*Available in all of our yacht quality finishes.*

---

• DESIGNED, MANUFACTURED & HAND FINISHED IN MAINE SINCE 1977 •

73 SPRING STREET NEW YORK, NY 10012 (212) 390-0660

WWW.LOWE-HARDWARE.COM