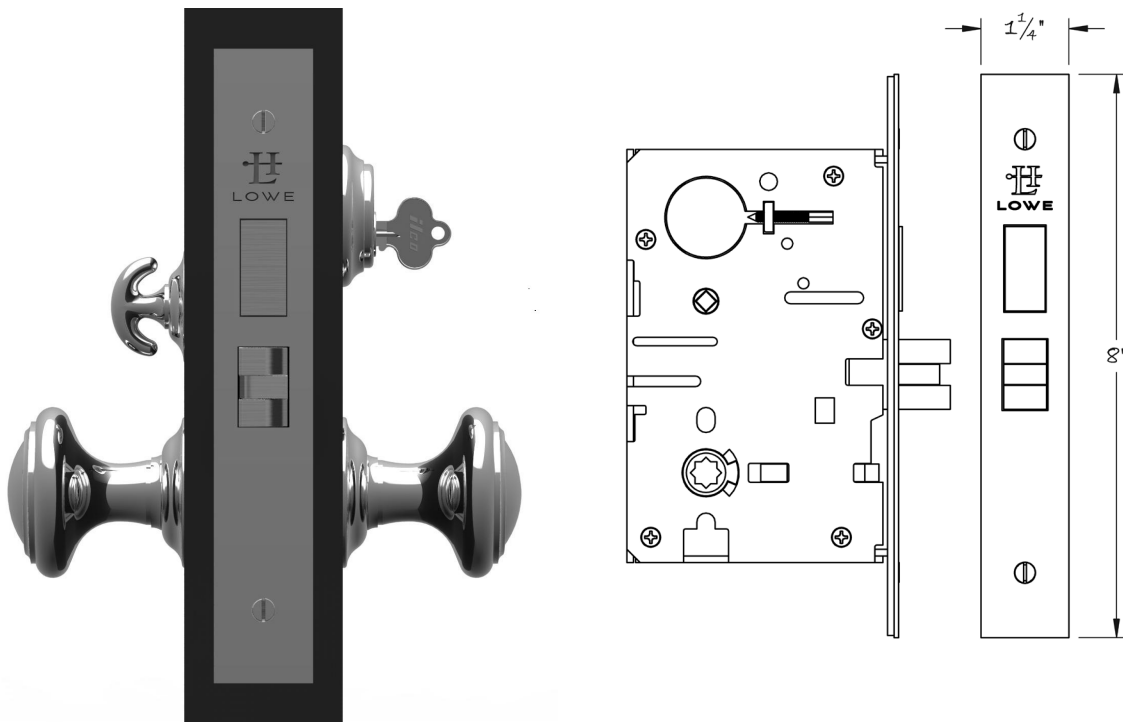




LOWE HARDWARE

No. 124

FULL MORTISE ENTRANCE LOCK



*The Lowe 124 full mortise entrance lock is available in 2-1/2", 2-3/4", 3-3/4", 5" or 6" backsets. Typically used as an entrance lock, the 124 features a 1" reinforced deadbolt, full egress functionality, and can be used anywhere key controlled access is required. The lock can be configured at the factory to be used with knobs, levers, thumbblatches or any combination thereof. It is supplied with a strikeplate and stamped metal dustbox, and the faceplate has an adjustable bevel. Center dimension between the handle and thumbturn is 2-7/16". The 124 is ANSI Grade 1, and is UL listed with a 3 hour fire rating. Available in all finishes.*

• DESIGNED, MANUFACTURED & HAND FINISHED IN MAINE SINCE 1977 •

73 SPRING STREET NEW YORK, NY 10012 (212) 390-0660

WWW.LOWE-HARDWARE.COM