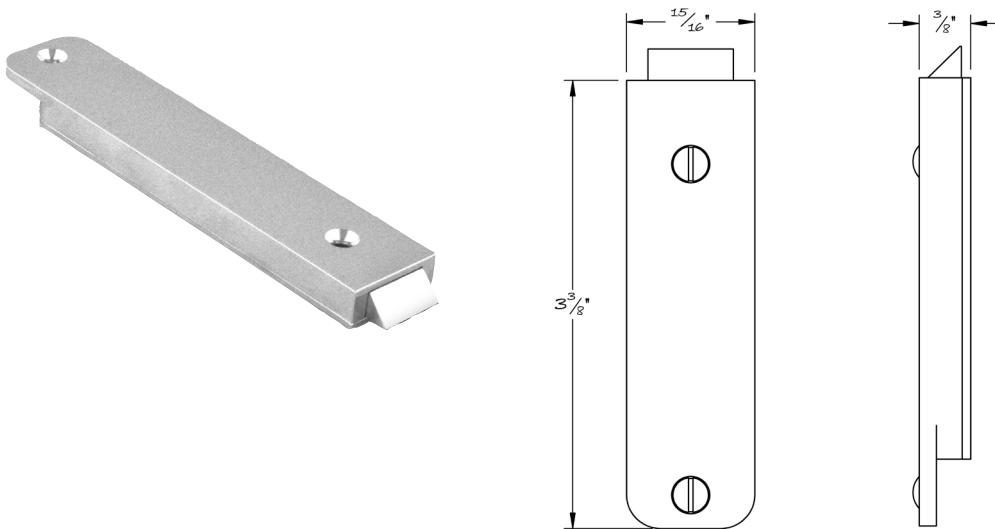




LOWE HARDWARE

No. 1094

---



*Based on the precision components of the popular #1002 rim latch, the #1094 drawer latch is designed to be let into the back of drawer boxes or any swinging panel. Standard and custom backsets are available starting at 1". Because the piece is CNC machined, template routing requires minimal effort. Strikeplates are made based on joinery detail. Any turning trim can be utilized with this latch.*

*Available in any of our yacht quality electroplated or patinated finishes.*

• DESIGNED, MANUFACTURED & HAND FINISHED IN MAINE SINCE 1977 •

73 SPRING STREET NEW YORK, NY 10012 (212) 390-0660

WWW.LOWE-HARDWARE.COM