

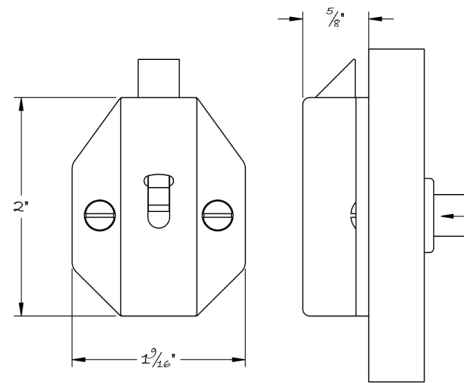


LOWE HARDWARE

No. 1092

---

PUSH BUTTON DRAWER LATCH



*Lowe Hardware's #1092 push button drawer latch is known for its simplicity of use and robustness in a sea way. Machined from solid brass, the body features a 5/8" diameter pilot which aligns the latch with the outer trim ring. A simple push of the button draws the tongue down, and the spring latch function allows "slam" closing.*

*Drawn with the #1093 trim ring.*

*Typically finished in matte chrome, push button and trim ring are available in any finish.*

---

• DESIGNED, MANUFACTURED & HAND FINISHED IN MAINE SINCE 1977 •

73 SPRING STREET NEW YORK, NY 10012 (212) 390-0660

WWW.LOWE-HARDWARE.COM