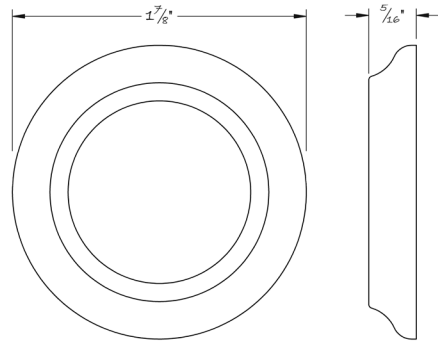




LOWE HARDWARE

No. 1068

---



*Lowe Hardware's No. 1068 mortise cylinder collar compliments the ogee curve edge details of our other products. Wave spring holds the collar firmly against the door. Available in any of our yacht-quality electroplated or patinated finishes.*

• DESIGNED, MANUFACTURED & HAND FINISHED IN MAINE SINCE 1977 •

73 SPRING STREET NEW YORK, NY 10012 (212) 390-0660

WWW.LOWE-HARDWARE.COM