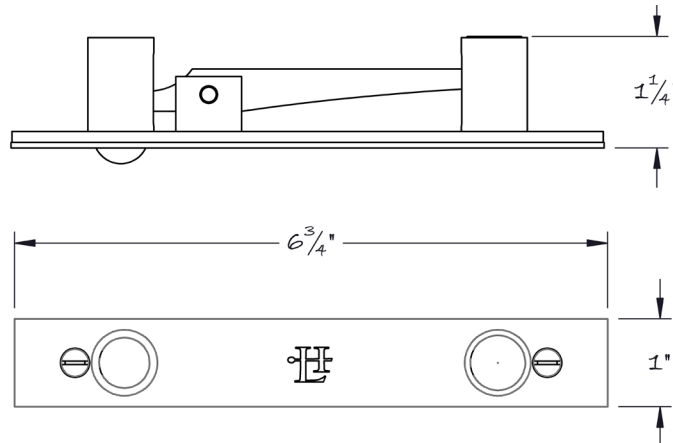




LOWE HARDWARE

No. 103



*An ideal solution for larger hanging locker doors on yachts or any other smaller double door application in bathrooms, offices, and master baths.*

*Operation is as easy as closing the inactive door first followed by closing the active door. The plunger which inserts into the inactive door can be adjusted for various jamb clearances. A small latch or lockset is mortised into the active door allowing for both to be made fast.*

*Any of our yacht quality finishes is available to match door trim.*

• DESIGNED, MANUFACTURED & HAND FINISHED IN MAINE SINCE 1977 •

73 SPRING STREET NEW YORK, NY 10012 (212) 390-0660

WWW.LOWE-HARDWARE.COM